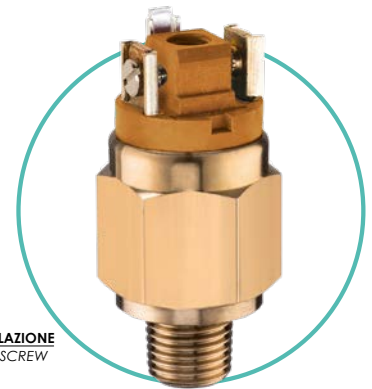
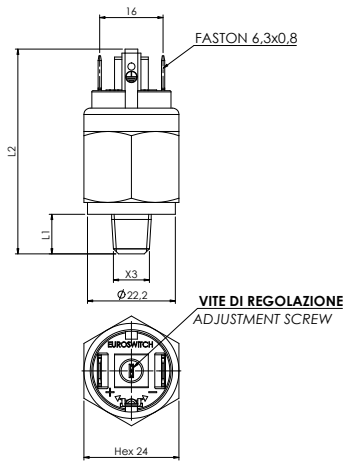
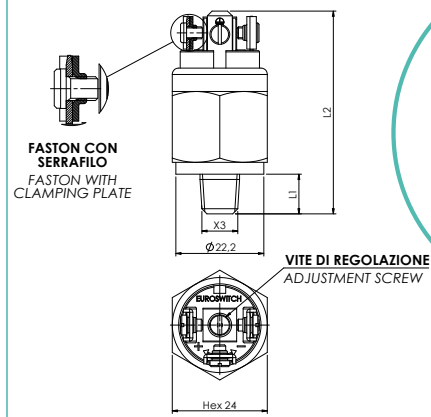




37



37V



Codice Part number		Campo di regolazione Setting range bar	Tolleranza a 20°C Tolerance at 20°C bar
Contatto elettrico norm. aperto Electrical contact norm. open	Contatto elettrico norm. chiuso Electrical contact norm. closed		
37(V) 1 ▲ ● ■ 9	37(V) 2 ▲ ● ■ 9	-200 / -900	± 100

(V) = versione faston con serrafilo / faston with clamping plate

<p>▲ Materiale Corpo Attacco a processo Case Material Thread connection</p> <p>1 Ottone 1 Brass</p> <p>2 Acciaio Inox AISI 316L* 2 Stainless steel AISI 316L*</p>	<p>● Filetti Threads</p> <table border="1"> <thead> <tr> <th></th> <th>L1mm</th> <th>L2mm</th> </tr> </thead> <tbody> <tr> <td>1 - 1/8" Gas conico 1 - 1/8" Gas conical</td> <td>10</td> <td>50</td> </tr> <tr> <td>2 - 1/4" Gas conico 2 - 1/4" Gas conical</td> <td>12</td> <td>52</td> </tr> <tr> <td>3 - M10x1 conico 3 - M10x1 conical</td> <td>10</td> <td>50</td> </tr> <tr> <td>5 - 1/8" NPT 5 - 1/8" NPT</td> <td>10</td> <td>50</td> </tr> <tr> <td>4 - M12x1,5 Cilindrico 4 - M12x1,5 cylindrical</td> <td>9</td> <td>50</td> </tr> <tr> <td>6 - 1/4" Gas cilindrico 6 - 1/4" Gas cylindrical</td> <td>9,7</td> <td>50,7</td> </tr> <tr> <td>G - 1/8" Gas cilindrico G - 1/8" Gas cylindrical</td> <td>10</td> <td>51</td> </tr> </tbody> </table>		L1mm	L2mm	1 - 1/8" Gas conico 1 - 1/8" Gas conical	10	50	2 - 1/4" Gas conico 2 - 1/4" Gas conical	12	52	3 - M10x1 conico 3 - M10x1 conical	10	50	5 - 1/8" NPT 5 - 1/8" NPT	10	50	4 - M12x1,5 Cilindrico 4 - M12x1,5 cylindrical	9	50	6 - 1/4" Gas cilindrico 6 - 1/4" Gas cylindrical	9,7	50,7	G - 1/8" Gas cilindrico G - 1/8" Gas cylindrical	10	51	<p>■ Membrane (vedi pag. 19) Diaphragms (see page 19)</p> <p>1 NBR (standard)</p> <p>2 FKM</p> <p>3 EPDM</p> <p>4 CR</p> <p>6 HNBR</p>
	L1mm	L2mm																								
1 - 1/8" Gas conico 1 - 1/8" Gas conical	10	50																								
2 - 1/4" Gas conico 2 - 1/4" Gas conical	12	52																								
3 - M10x1 conico 3 - M10x1 conical	10	50																								
5 - 1/8" NPT 5 - 1/8" NPT	10	50																								
4 - M12x1,5 Cilindrico 4 - M12x1,5 cylindrical	9	50																								
6 - 1/4" Gas cilindrico 6 - 1/4" Gas cylindrical	9,7	50,7																								
G - 1/8" Gas cilindrico G - 1/8" Gas cylindrical	10	51																								

\* Standard G1/4" cilindrico. \* Standard G1/4" cylindrical

Contatti elettrici Electric contacts	Argento AgNi, (a richiesta dorati) Silver AgNi, (gold plated on request)	Tipo di azionamento Action type	1B
Condizione elettrica Electrical condition	N.A. (colore naturale) N.C. (ocra) N.O. (natural color) N.C. (ochre)	Vita meccanica Mechanical working life	10 <sup>6</sup> operazioni 10 <sup>6</sup> operations
Max tensione commutabile Max switched voltage	250V	Vita elettrica Electrical working life	10 <sup>5</sup> operazioni 10 <sup>5</sup> operations
Max corrente commutabile Max switched current	0,5A	Grado di protezione Protection degree	IP 00 (vedi pag. 20-22 per cappucci e connettori di protezione) IP 00 (see pages 20-22 for protection caps and connectors)
Max temperatura fluido Max fluid temperature	80°-120°C (in funzione della membrana) 80°-120°C (depending on diaphragm)	Peso Weight	~ 70 g
Max pressione di sicurezza Max Overpressure limit	15 bar		
Massima pressione di lavoro Max Working pressure	10 bar		